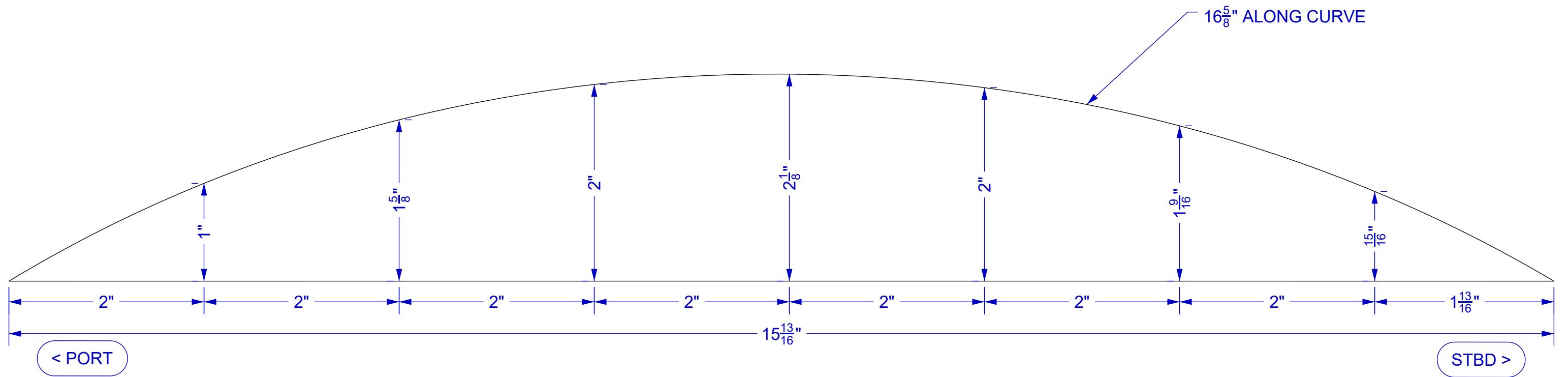


FORMING LINE ORIENTATION ON F1-2
 3"=1'-0" SCALE
 FORM FASCIA PLATE F1-2 TO TEMPLATE CURVE ALONG INDICATED DIMENSIONED LINE AND/OR ALONG ANY PARALLEL LINE. FORMING LINE IS PERPENDICULAR TO STBD EDGE OF F1-2 FLAT PLATE PART.



PRELIMINARY
NOT FOR
CONSTRUCTION

SOLANDER 38
 SUPERSTRUCTURE FASCIA
 FORMING TEMPLATE - STBD END OF F1-2
 FULL SCALE OR AS INDICATED / 11" X 17"
 HJN 7 APR 2026
 SHEET 6 OF 6