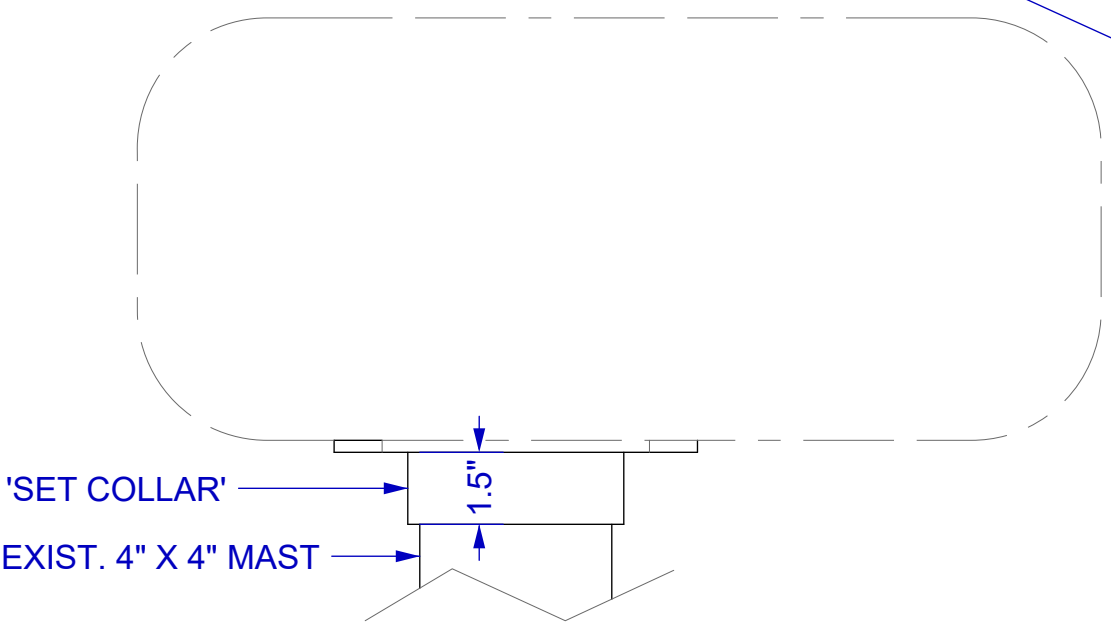
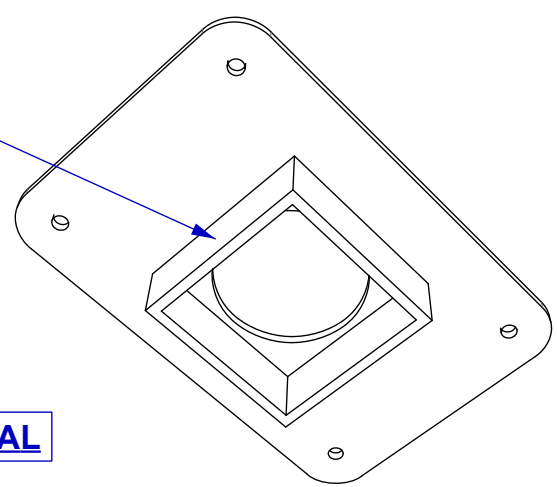


ANTENNA WING
 (X2, P&S IDENTICAL)



RADAR PEDESTAL



PRELIMINARY

SOLANDER 38
 AFT STBD MAST
 SELECTED PART DETAILS
 3"=1'-0" / 11" X 17"
 HJN 12/19/25
 SHEET 2 OF 2